

# PY Security PY-6040

## X-ray Baggage Scanner

### Single generator Dual energy

Made in CHINA



#### Explosives, Weapons and Contraband

Our best-selling scanner model PY-6040, lighter and shorter, it packs all the speed, power and detection capability into a sub-compact design. Sized for scanning mail, hand carried bags, personal items, clothing and shoes. The PY-6040 meets the throughput demands of high-traffic settings. An intuitive and simple operator interface makes this unit suitable for both security professionals and non-technical personnel.



Applications:  
Mail scanning  
Executive offices  
Private security  
VIP diplomatic security  
Public places security  
High-risk event security

Regulatory Information: The PY-6040 meets P.R.C. and international regulatory requirements for electromagnetic safety. Extensive research has found no information that would indicate PY Security's products have negative effects on film(ISO 1600 ~33 DIN) and operators. However, directives by physicians and medical device manufacturers regarding X-ray baggage scanner should be followed.

2015 © 2022 Pinyi Electronic Technology Co.,Ltd.

# PY Security PY-6040

## X-ray Baggage Scanner

www.pysecurity.com

### SPECIFICATIONS

#### Physical Details

Tunnel size:	600(W) x 400(H) mm.
Product dimensions:	2480mm(L)x875mm(W)x1270mm(H).
Wooden package dimensions:	2240mm(L)x960mm(W)x1400mm(H)
Shipping weight:	
Net weight:	450 kg.
Gross weight:	500kg.
Working temperature:	(-20)°C~(+60)°C/Humidity 5% to 95%, non-condensing.
Storage temperature:	(-30)°C~(+70)°C/Humidity 5% to 95%, non-condensing.
Power supply:	110~240VAC (-10%~+20%),50/60±3Hz.
Power consumption:	< 0.5 kw/h.
Certificates:	Meets electrical safety and compatibility requirements for <b>CE</b> (EMC Directive~2014/30 /EUand LVD Directive~2014/35/EU), <b>ROHS</b> (Directive~2011/65/EU).

#### X-RAY Generator

X-ray tube head:	Self-contained.
Tube voltage rating:	100kV(default), can be tailor-made based on requirement. Tube current: 0.2~0.6mA.
Cooling/working period:	100% with sealed oil bath cooling.
Beam direction:	Diagonal from bottom (60°beam divergence).
X-ray leakage dose:	Less than 0.35 µGy / h (5cm distance from any position of the machine).
Single scanning x-ray leakage dose:	Less than 1 µGy / h.
High X-ray leakage protection:	Two levels lead curtains to reduce the leakage and protect operators.

#### Inspection Performance

Steel penetration:	15 mm typical(Can be customized).
Conveyor speed:	Approx. 0.22m/s.
Conveyor height:	740mm(including the support tray).
Wire Resolution:	38 AWG wire,40 AWG(0.0787 mm) typical.
Space Resolution:	Horizontal Φ 1.0mm;vertical Φ 1.0 mm.
Noise:	<56dB.
Max. Load Weight:	180 kg (397 lbs).
Film Safety:	Guaranteed for high-speed film up to ISO 1600 (33 DIN).

#### Detectors

The array detector: L-type photo-diode single energy detector.

#### Video

19 inch color LCD monitor, pixel 1280 x 1024 video card.

#### Image Performance System

Auto Soft operating system: Win 7 English version.

Standard Functions: High & Low penetration/Super penetration/Organic& in-organic image/local & edge enhancement/zoom in & zoom out/Image resolution/Image storage/Image management/Black & white image/Gray image/Belt forward & reversal/Marks.

Time & date/Power on indicator/Self diagnostic function/System log/Baggage counts/TIP function/User management.

Image storage: 100,000 images can be stored and process continuously.

Pull back/forward: 30 images to process.

64x smart zoom: Adjustable zoom preview window.

#### Other Functions:

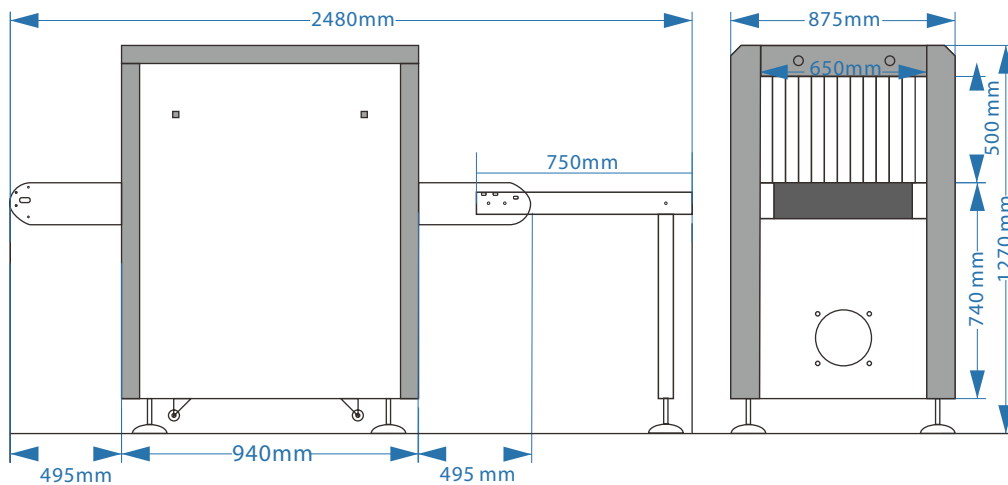
Alarm function: Liquid and high density substances will give audio & indicator alarm with a red frame.

Networking function: Can be connected to a dedicated virtual LAN configured tested by the assigned communications subcontractor.

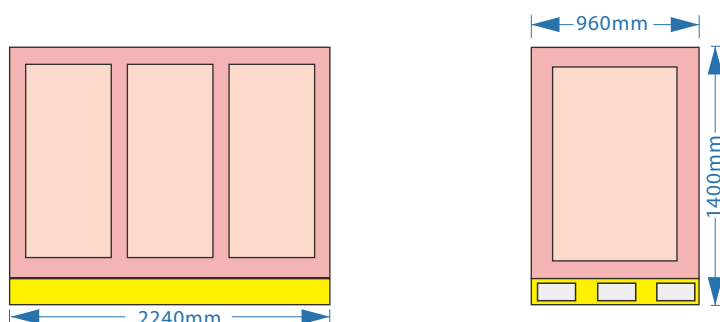
Images output: Images can be put out with USB interfaces.

#### Options

BI-direction(two-direction) scanning.  
Customized roller shelf.  
Customized software language(Basic is English).  
Normal keyboard and industrial keyboard optional.  
Double layer wooden packages.



One piece tool box



**Pinyi Electronic Technology Co., Ltd**  
Add:No. 8 Jinpeng Rd.,Fenggang Town,  
Dongguan City, P.R.China.  
[www.pysecurity.com](http://www.pysecurity.com)  
Email:[info@pysecurity.com](mailto:info@pysecurity.com)  
Tel: +86 755 23212049  
Fax:+86 755 23212049